



Thank you for choosing our products !

- ASSEMBLY INSTRUCTIONS -

BUMPER PLATES TROLLEY - 7 TRACKS

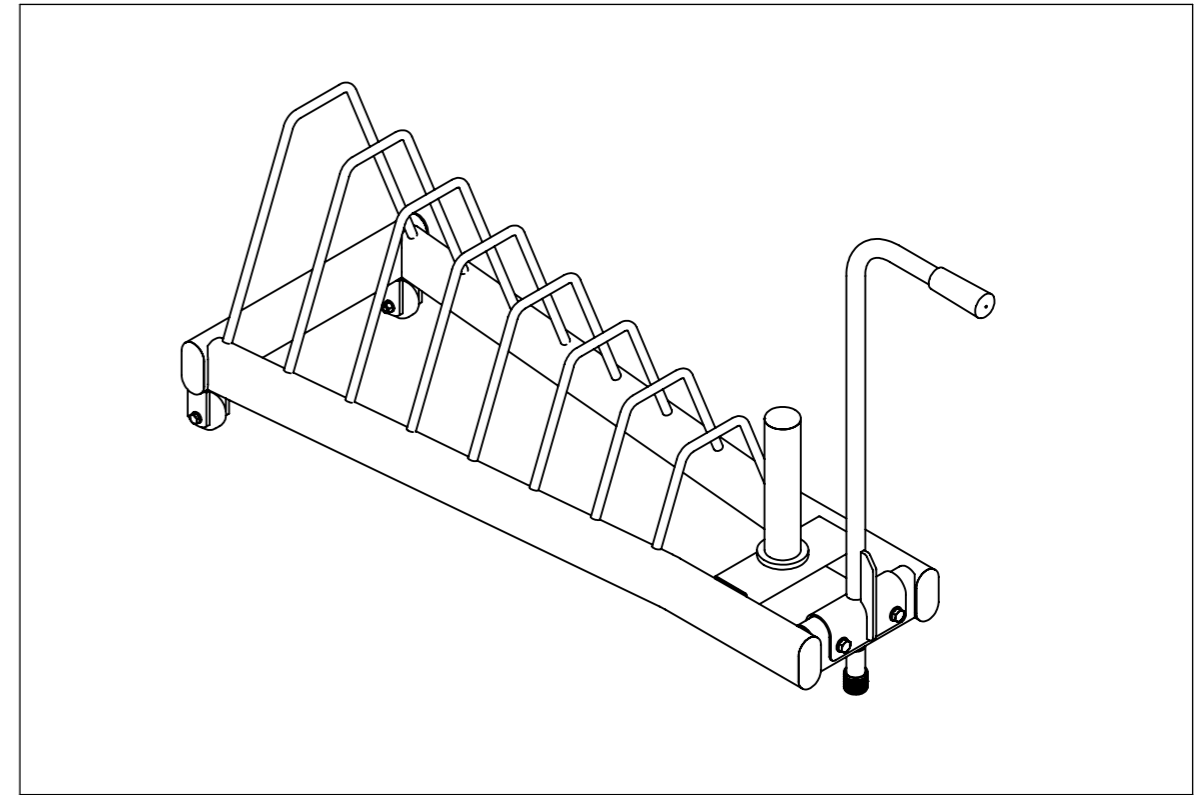
www.xeniosusa.com



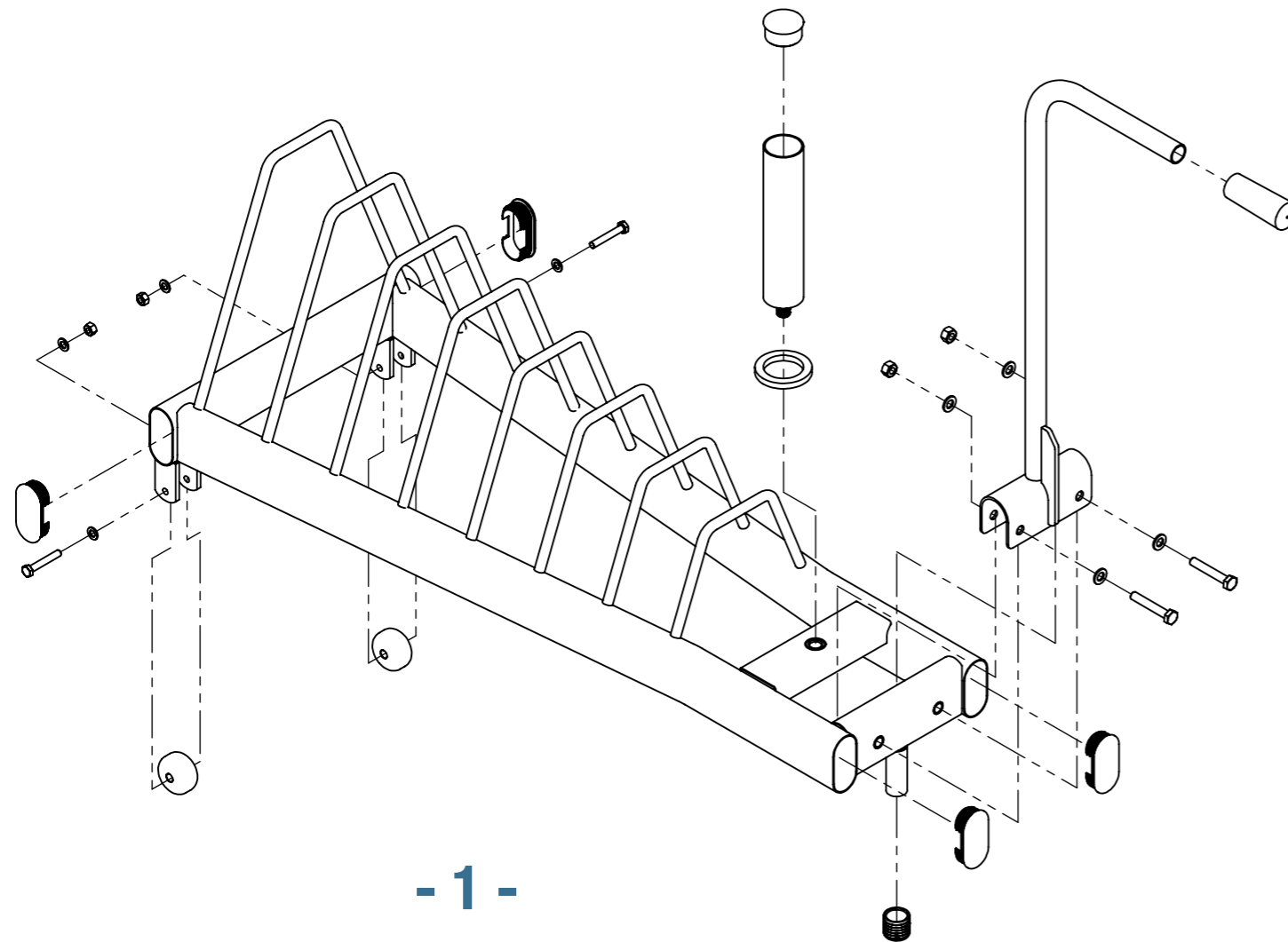
Thank you for choosing our products !

- ASSEMBLY INSTRUCTIONS -

Xenios USA is a registered trademark owned by and used under license from Xenios USA LLC - NY (USA)



- 2 -



- 1 -

- BUMPER PLATES TROLLEY - 7 TRACKS -

ACCESSORIES THAT MAKE A DIFFERENCE



© XENIOS USA LLC – NY (USA) all rights reserved. The use and the copy of all the contents are not allowed, without the authorization of XENIOS USA LLC. XENIOS USA trademark and all the Registered Design Patents are owned by and used under the license from XENIOS USA LLC – NY (USA)

www.xeniosusa.com Follow us on:

